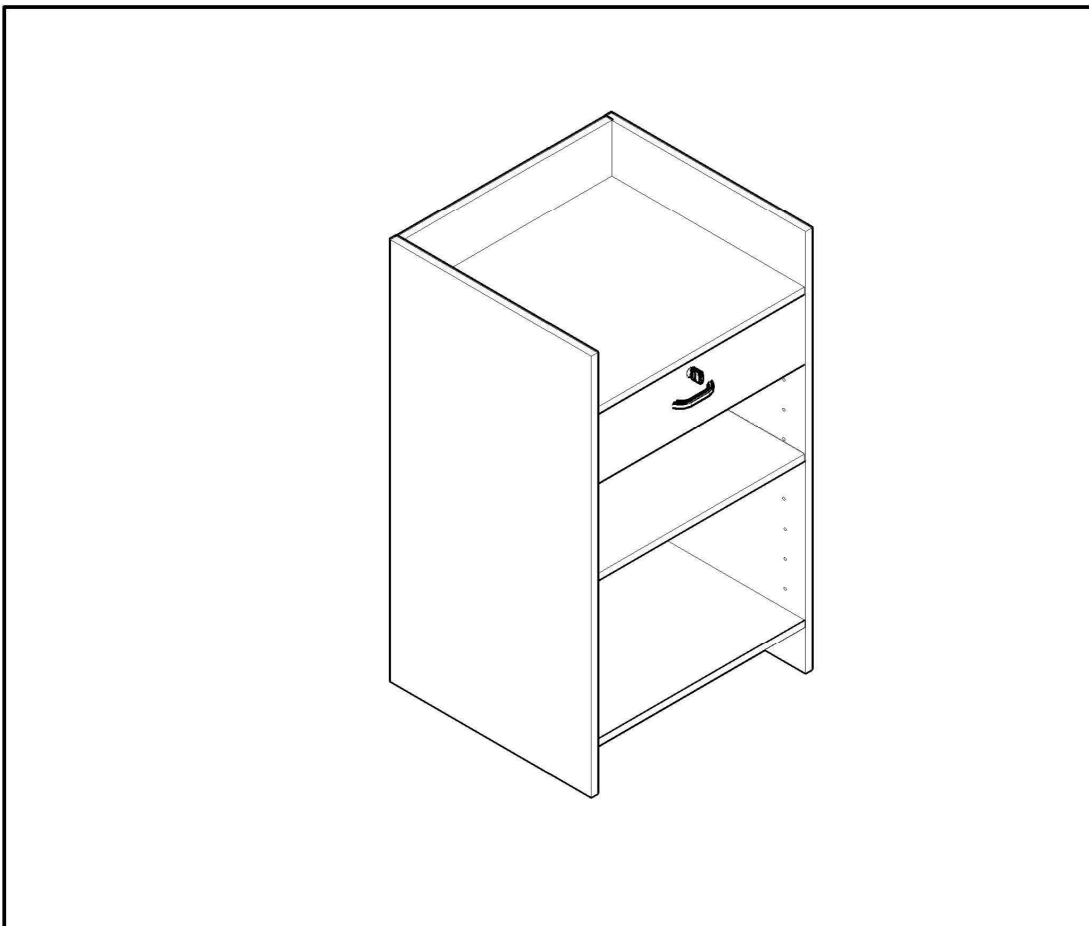


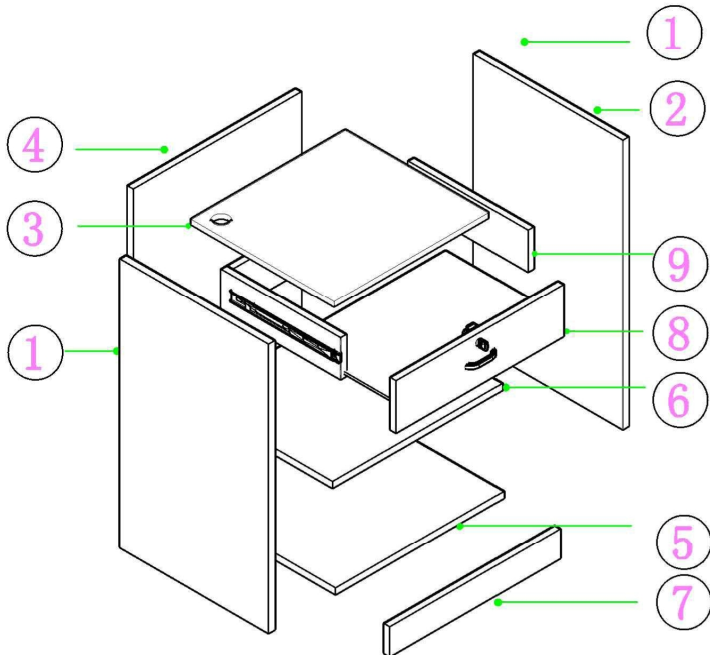
ASSEMBLY INSTRUCTIONS MANUAL

**CASH REGISTER COUNTER WITH DRAW**

**SW723G** 550mm (D) × 600mm (W) × 950mm (H)



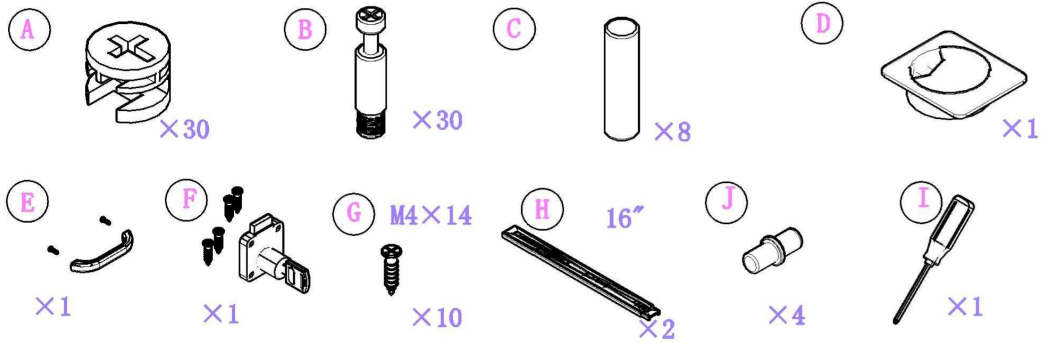
## IDENTIFY PARTS:



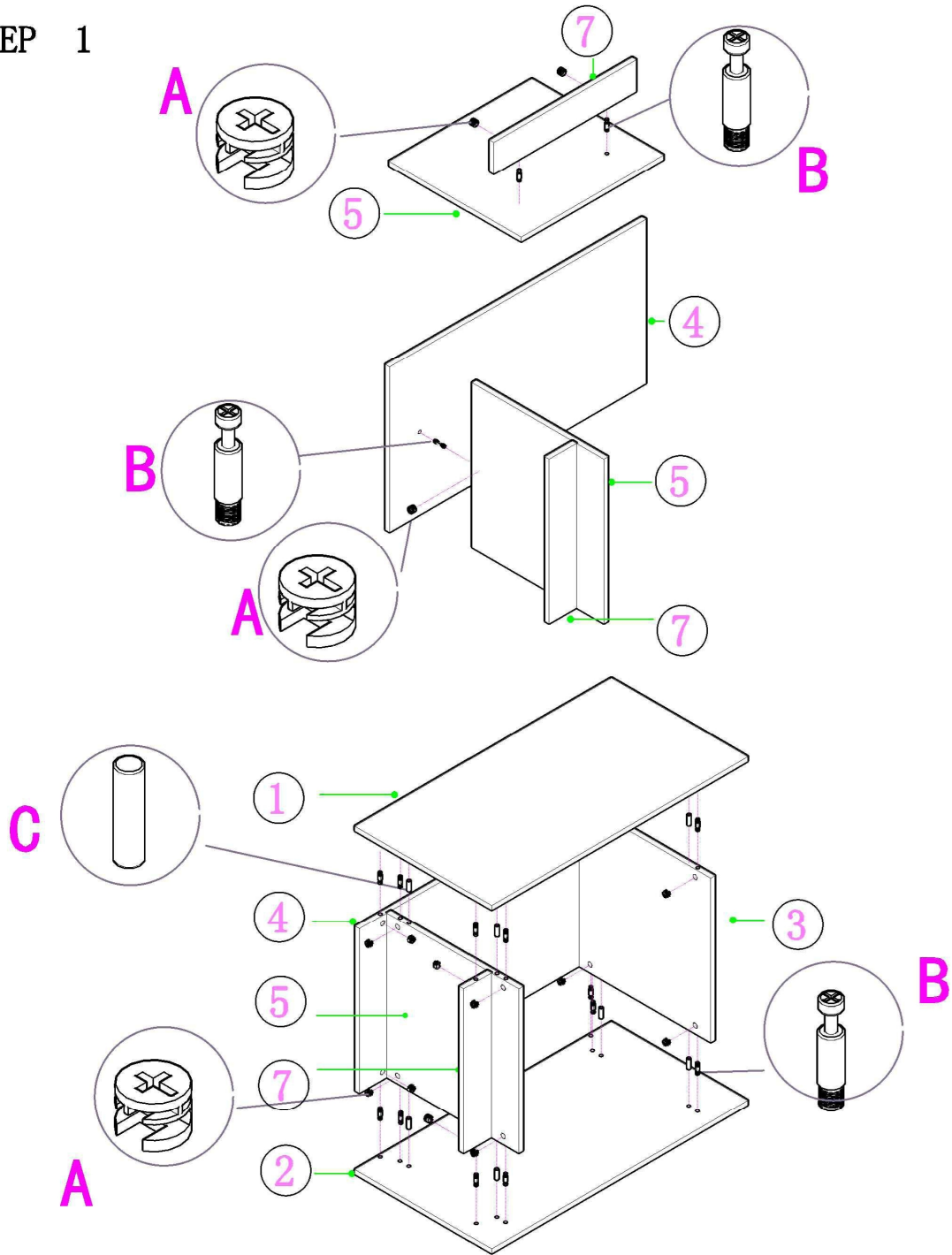
Please check below measurement sizes to identify parts:

Item	Size	Qty
1	950*600*18	1
2	950*600*18	1
3	514*581*18	1
4	950*514*18	1
5	514*581*18	1
6	513*578*18	1
7	514*100*18	1
8	510*150*18	1
9	400*120*18	2
10	452*120*18	1
11	462*392*5	1

## HARDWARE CONTENTS:



STEP 1



STEP 2

